

TOORX
PROFESSIONAL LINE

DANSK MANUAL



WBX200



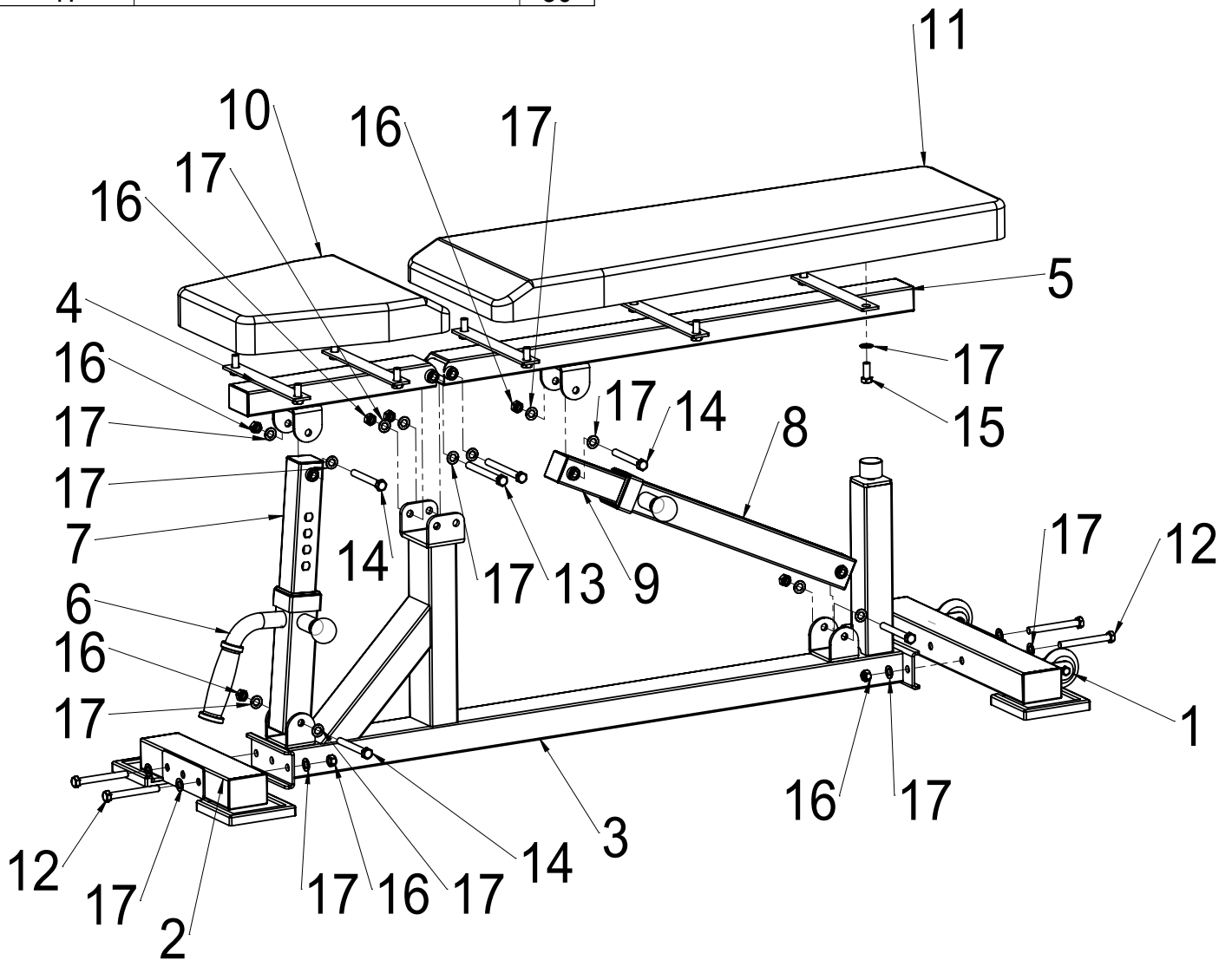
Cod : GRLDTOORXWBX200

Rev : 00

Ed : 10/19

Sammensætning af tilbehør

PART NO.	Beskrivelse	QTY
1	Base Tube	1
2	Base Tube	1
3	Main Frame	1
4	Seat Tube	1
5	Backrest Tube	1
6	Extension Tube A	1
7	Adjustable Tube	1
8	Extension Tube B	1
9	Adjustable Tube	1
10	Seat	1
11	Backrest	1
12	M10X90 Hex Bolt	4
13	M10X105 Hex Bolt	2
14	M10X85 Hex Bolt	4
15	M10X25 Hex Bolt	10
16	M10 Nylon Nut	10
17	M10 Washer	30





GARLANDO SPA
Via Regione Piemonte, 32 - Zona Industriale D1
15068 - Pozzolo Formigaro (AL) - Italy
www.toorx.it - info@toorx.it